



3435 Soledad Canyon Road
Acton, CA 93510
(888) 959-4471
support@snapfence.com

Designed for:
Rain on a Tin Roof

Project:

Planter Box / House Number
Sign

Date:

10/3/2018

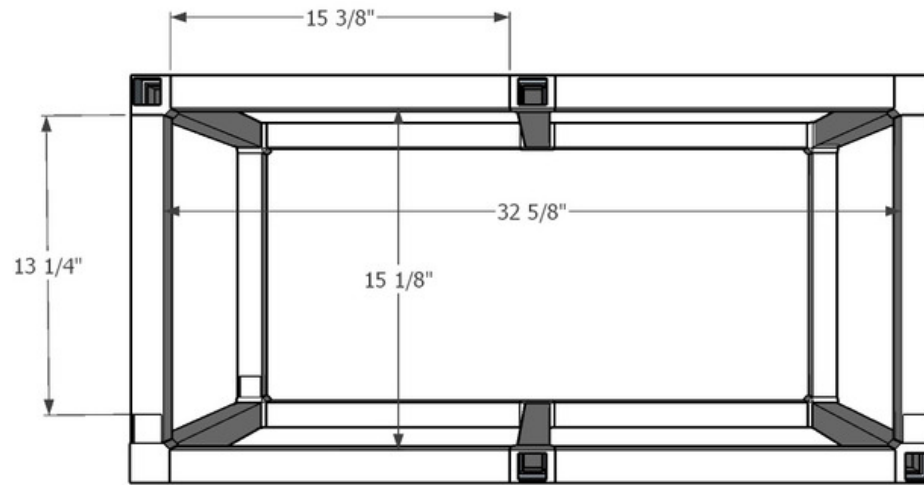
Isometric view

Estimated Cost

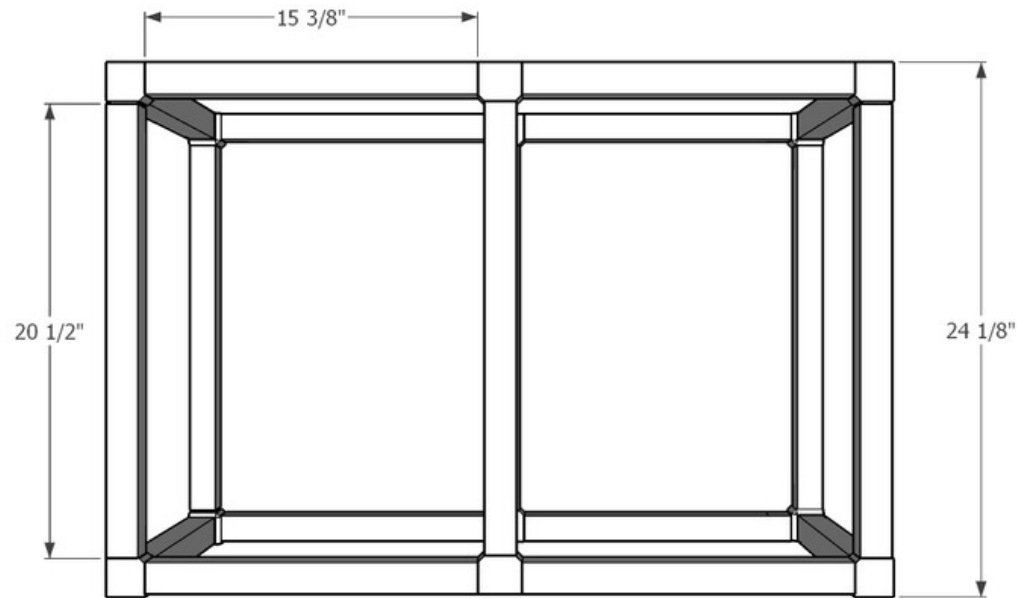
\$158.58

Page 1

Top View:



Front View:



3435 Soledad Canyon Road
Acton, CA 93510
(888) 959-4471
support@snapfence.com

Designed for:
Rain on a Tin Roof

Project:
Planter Box / House Number
Sign

Date:
10/3/2018

Top view & Front view

Estimated Cost
\$158.58



3435 Soledad Canyon Road
Acton, CA 93510
(888) 959-4471
support@snapfence.com

Designed for:
Rain on a Tin Roof

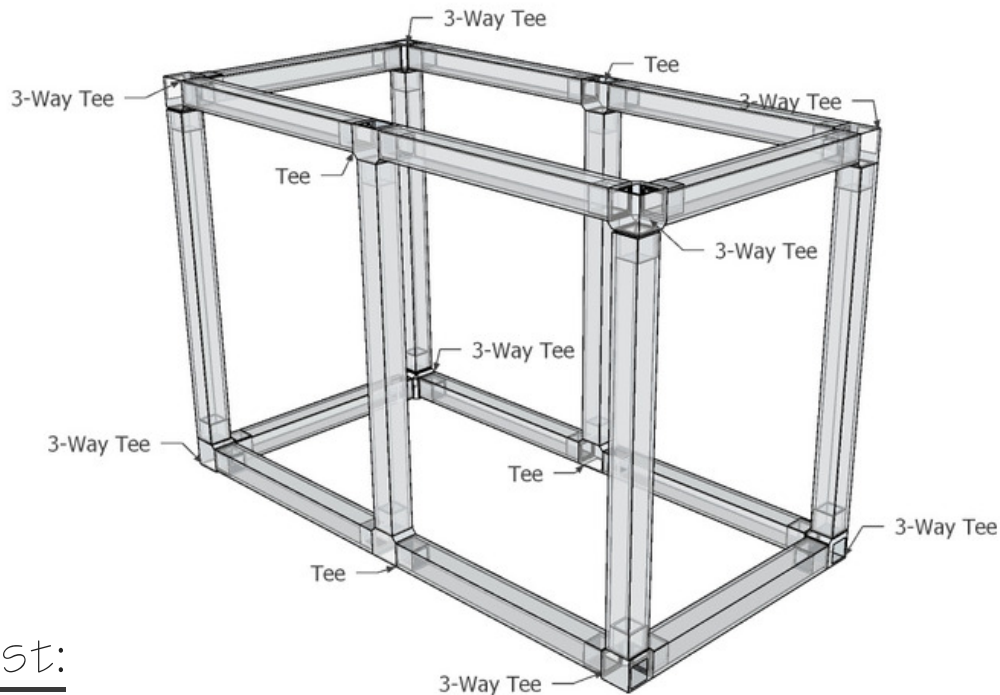
Project:
Planter Box / House Number
Sign

Date:
10/3/2018

Parts List

Estimated Cost
\$158.58

Page 3



Parts List:

- x18 Custom Cut Posts/Rails
- (6) 20 1/2"
- (4) 14 1/2"
- (4) 15 3/8"
- x4 Tees
- x8 3-Way Elbows

Assembly Notes:

- > Assemble frame from front corner starting with 3-Way Elbow.
- > Tees face down on the top and up on the bottom.



3435 Soledad Canyon Road
Acton, CA 93510
(888) 959-4471
support@snapfence.com

Designed for:
Rain on a Tin Roof

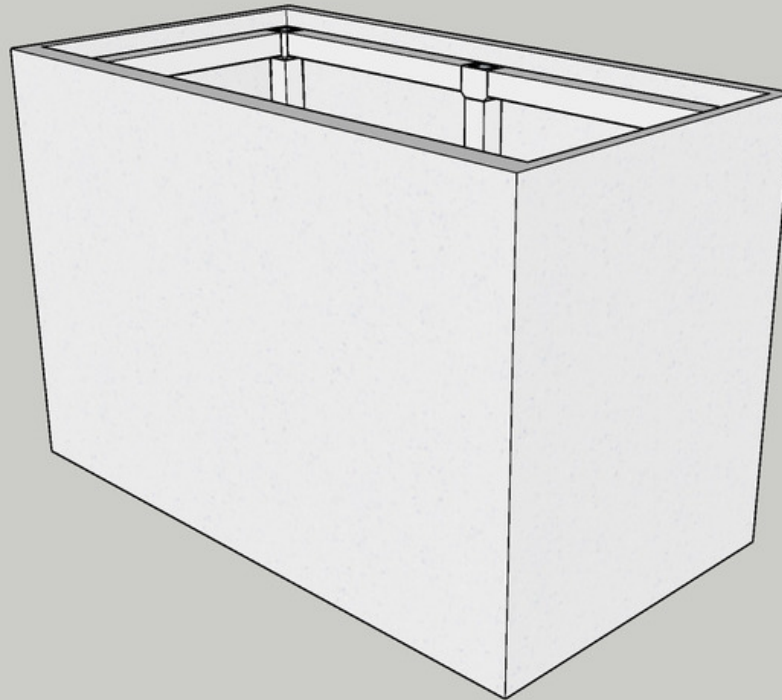
Project:
Planter Box / House Number
Sign

Date:
10/3/2018

Installation

Estimated Cost
\$158.58

Page 4



Installation Notes:

- > Attach cement board to frame using backer board screws
- > Finish frame with your choice of material
- > Add house numbers
- > Fill with potting soil, and your favorite plants

